

brother®

Home Sewing Machine

PARTS REFERENCE LIST

**MODEL: NV10/NV10A/ML600/B500/NS10/
CAMPUS300**

MECHANISMS & ELECTRONICS

CONTENTS

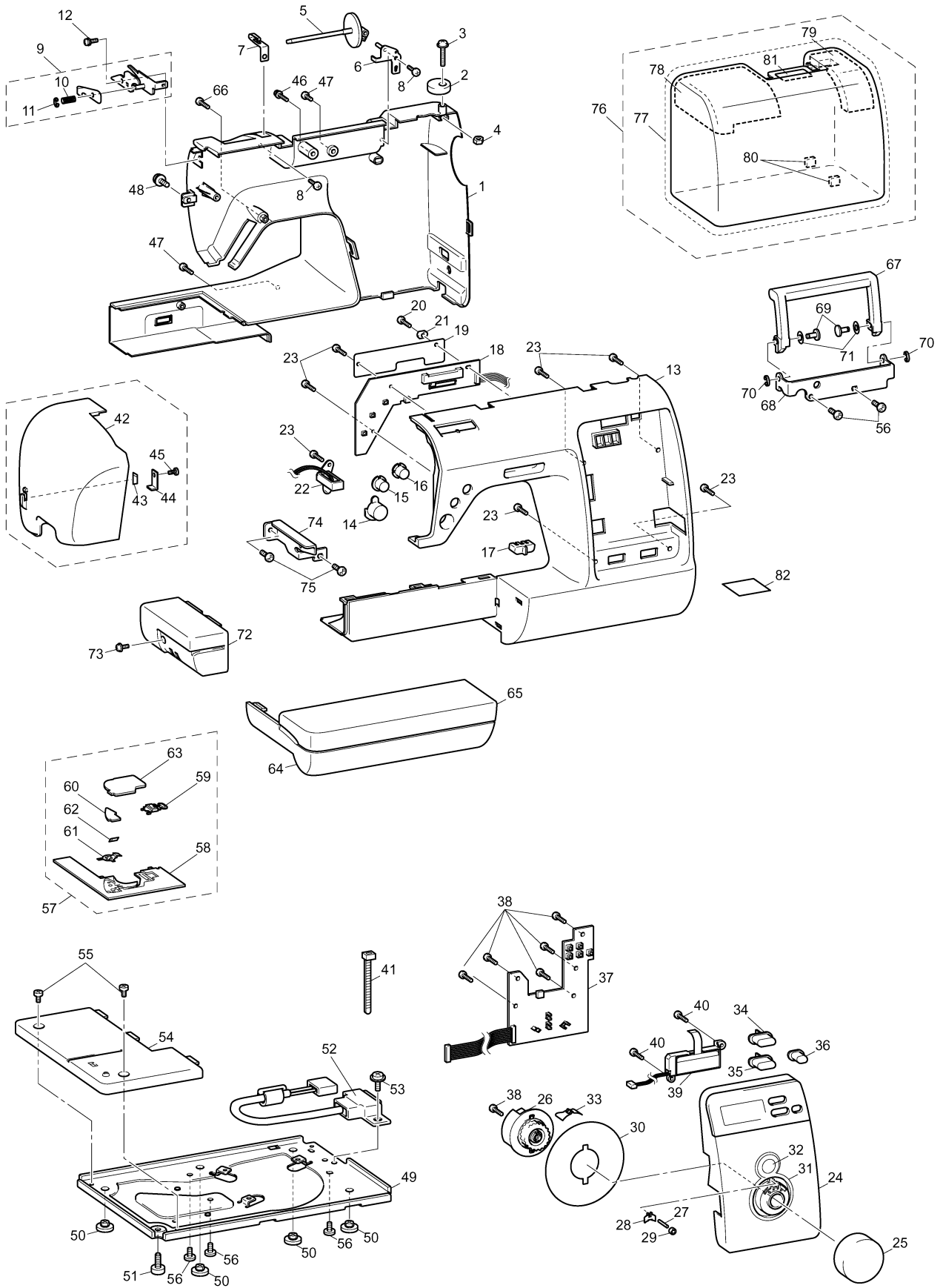
(1) PRINCIPAL PARTS.....	2
(2) UPPER SHAFT / NEEDLE BAR, PRESSER MECHANISM.....	6
(3) FEED / FEED ADJUSTMENT MECHANISM	8
(4) BOBBIN WINDER / THREAD GUIDE MECHANISM	10
(5) ELECTRONIC PARTS / MOTOR UNIT.....	12
(6) ATTACHMENTS / PRINTED MATTER / PACKING MATERIALS	14
SPARE PARTS.....	16

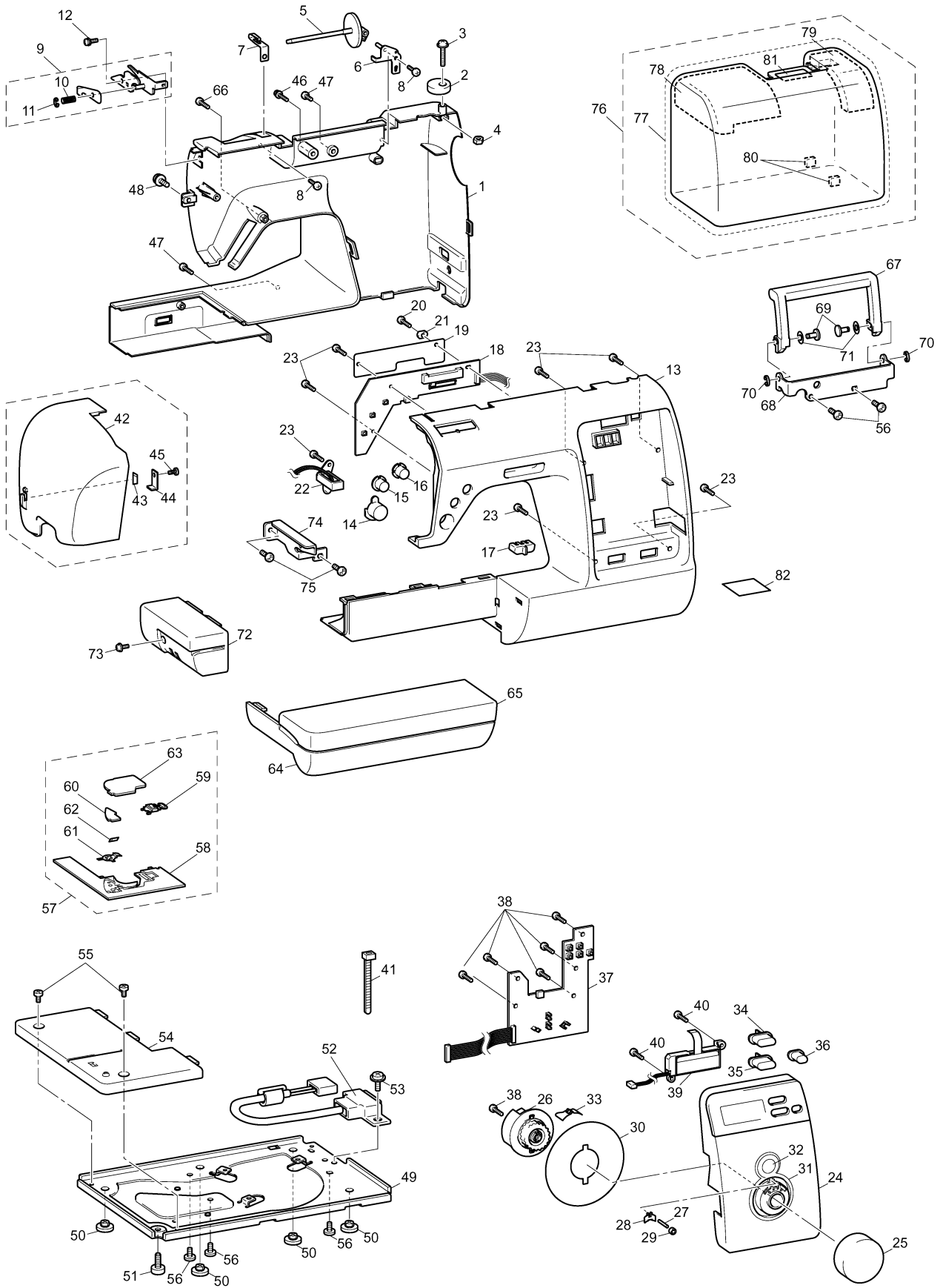
Note on parts:

We keep performance parts for this sewing machine for at least 8 years after this model is discontinued. Performance parts are the necessary parts to maintain the function of the sewing machine.

(1) PRINCIPAL PARTS

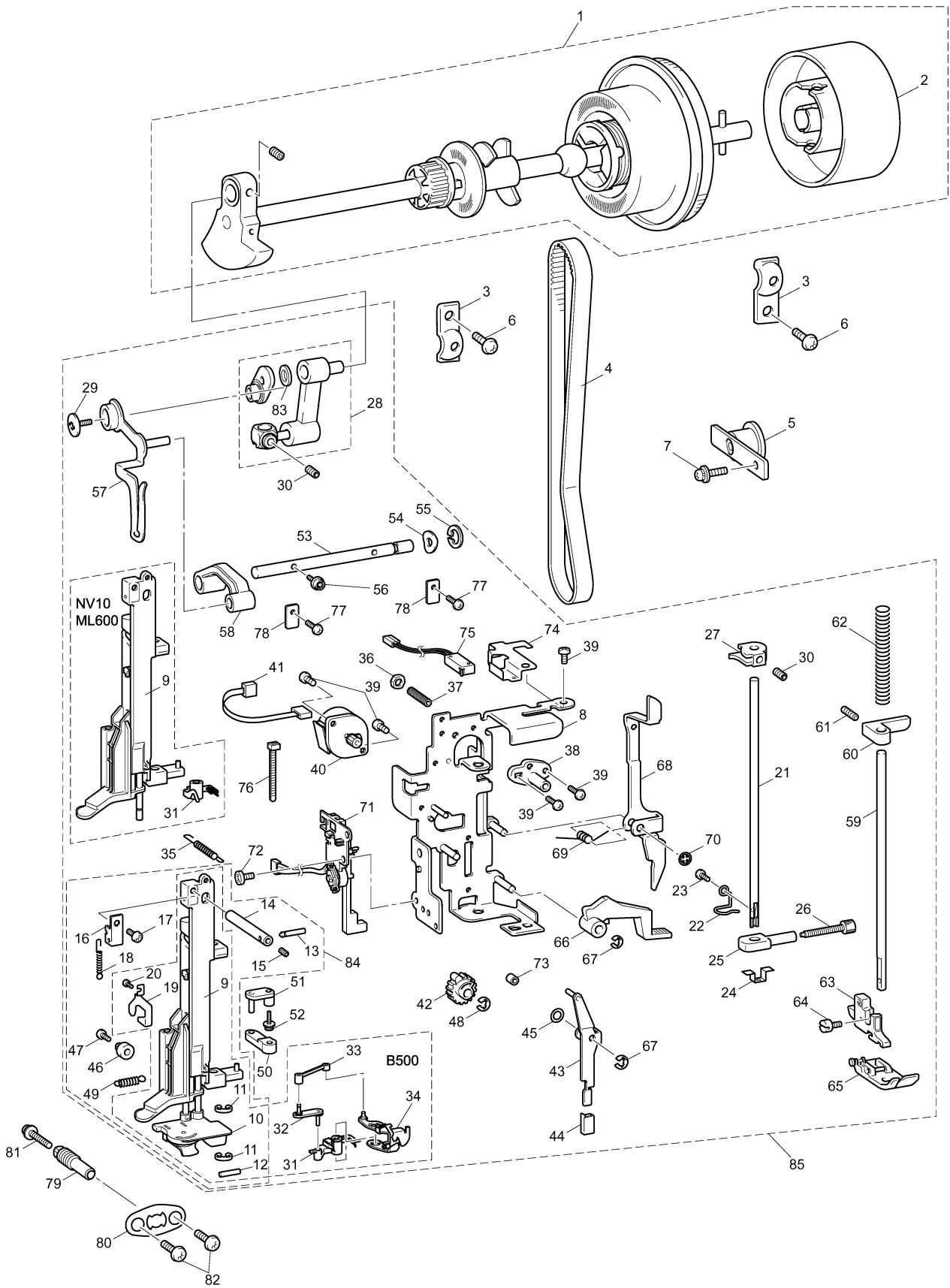
No.	CODE	NAME	REMARKS	No.	CODE	NAME	REMARKS
1	XE2479001	REAR COVER B		33	XE1423001	DIAL SPRING	
2	XC4517051	BOBBIN PRESSER		34	XE1424101	FEED ADJUSTING BUTTON	
3	0A4302006	SCREW PAN (S/P WASHER) M3X20		35	XE1425101	ADJUSTING BUTTON	
4	021300106	NUT 1 M3		36	XE1426001	REINFORCEMENT STITCH BUTTON	
5	XA1786053	SPOOL PIN		37	XE1574001	OPERATION PCB ASSY: M1H	
6	XE1394001	SPOOL PIN HOLDER ASSY		38	136681021	TAPTITE, BIND B M3X8	
7	XE1490101	THREAD GUIDE SUPPORTING PLATE	1000003936	39	XE1428001	SINGLE LIGHT GUIDE ASSY	
8	085311216	TAPTITE BIND B M3X12		40	085311016	TAPTITE BIND B M3X10	
9	XE1536101	THREAD GUIDE PLATE ASSY (EXCEPT: B500, NS10)	1000010430	41	X53169020	BAND	
10	X57605051	SPRING (EXCEPT: B500, NS10)	1000003927	42	XE1433101	FACE PLATE	
11	048020346	RETAINING RING E2 (EXCEPT: B500, NS10)	1000003927	43	X80321021	NT LOWER THREAD CUTTER	
12	X59642021	SCREW (EXCEPT: B500, NS10)	1000003927	44	XE1435001	FACE PLATE CUTTER HOLDER	
13	XE2481001	FRONT COVER B (NV10, ML600, CAMPUS300)	1000010430	45	138433021	TAPTITE, PAN B M3X6	
	XE1400101	FRONT COVER (B500)	1000003927	46	087411416	TAPTITE CUP B M4X14	
	XE3470001	FRONT COVER B A (NV10A)	1000004503	47	060400816	SCREW BIND M4X8	
14	XE2482001	SS BUTTON (NV10, ML600, NV10A, CAMPUS300)	1000010430	48	XC7568051	SCREW, PAN (S/P WASHER) M4X14	
	XE1402101	SS BUTTON (B500)	1000003927	49	XE2235001	BASE PLATE	
15	XE1404001	REVERSE BUTTON		50	XA1805021	BASE RUBBER A	
16	XE1406001	NP BUTTON		51	XE1973001	ADJUSTING SCREW ASSY	
17	XE1408001	SV KEY TOP		52	XE2327001	INLET ASSY: M1 230	
18	XE1573101	SSVR PCB ASSY: M1		53	0A4400806	SCREW PAN (S/P WASHER) M4X8	
19	XZ5058001	INSULATOR SHEET: M1 SSVR	1000007776	54	XE1438001	BASE PLATE COVER	
20	085311216	TAPTITE BIND B M3X12		55	XC7564021	SCREW, PAN (S/P WASHER) M3X6	1000008646
21	XC6363021	BOARD PRESSER		56	X57908021	TAPTITE, BIND S M4X10	
22	XE1846001	LED LAMP R SUPPLY: M1		57	XD0354251	NEEDLE PLATE B ASSY	1000006037
23	085311016	TAPTITE BIND B M3X10		58	XD0355251	NEEDLE PLATE B	1000006037
24	XE2869001	FRONT PANEL L SUPPLY ASSY EU (NV10)		59	XC7371022	SLIDE BUTTON	
	XE2876001	FRONT PANEL L SUPPLY ASSY RUS (ML600)		60	XD1666052	CUTTER COVER	
	XE1915001	FRONT PANEL SUPPLY ASSY: M1H (B500)	1000003927	61	XD1461051	NEEDLE PLATE COVER SPRING	
	XE3573001	FRONT PANEL L SUPPLY ASSY NS10 (NS10)	1000004674	62	X80321021	NT LOWER THREAD CUTTER	
	XE3574001	FRONT PANEL SUPPLY ASSY NV10A (NV10A)	1000004674	63	XD1645021	NEEDLE PLATE COVER SUPPLY ASSY	
	XE5780001	FRONT PANEL SUPPLY ASSY CAMPUS (CAMPUS300)	1000010430	64	XE1440001	ACCESSORY TABLE	
25	XE1414001	SELECTING DIAL		65	XE1441001	ACCESSORY TABLE DOOR	
26	XE1415001	SELECTING SHUTTER		66	085301616	TAPTITE BIND P M3X16	
27	XE1539001	PATTERN SELECTING SHAFT		67	XE1447001	HANDLE	
28	XE1548001	DIAL ROLLER GUIDE		68	XE1448001	HANDLE HOLDER	
29	XE1540001	PATTERN SELECTING ROLLER		69	XE1449001	HANDLE SHAFT	
30	XE1417001	INDICATION SHEET H		70	048040346	RETAINING RING E4	
31	XE1419002	DIAL DECORATION PLATE (OTHER)	1000003927	71	137713020	POLYESTER SLIDER	
	XE1419001	DIAL DECORATION PLATE (B500)	1000003927	72	XE1450001	FREE ARM COVER	
32	XE1420002	INDICATION WINDOW (OTHER)	1000003927	73	XC7566051	SCREW, PAN (S/P WASHER) M4X8	
	XE1420001	INDICATION WINDOW (B500)	1000003927	74	XC9746151	FREE ARM PLATE	
				75	060400616	SCREW BIND M4X6	
				76	XE1442001	CASE ASSEMBLY (B500)	1000003927
					XE2446001	CASE ASSEMBLY (NV10: GULF)	1000003927





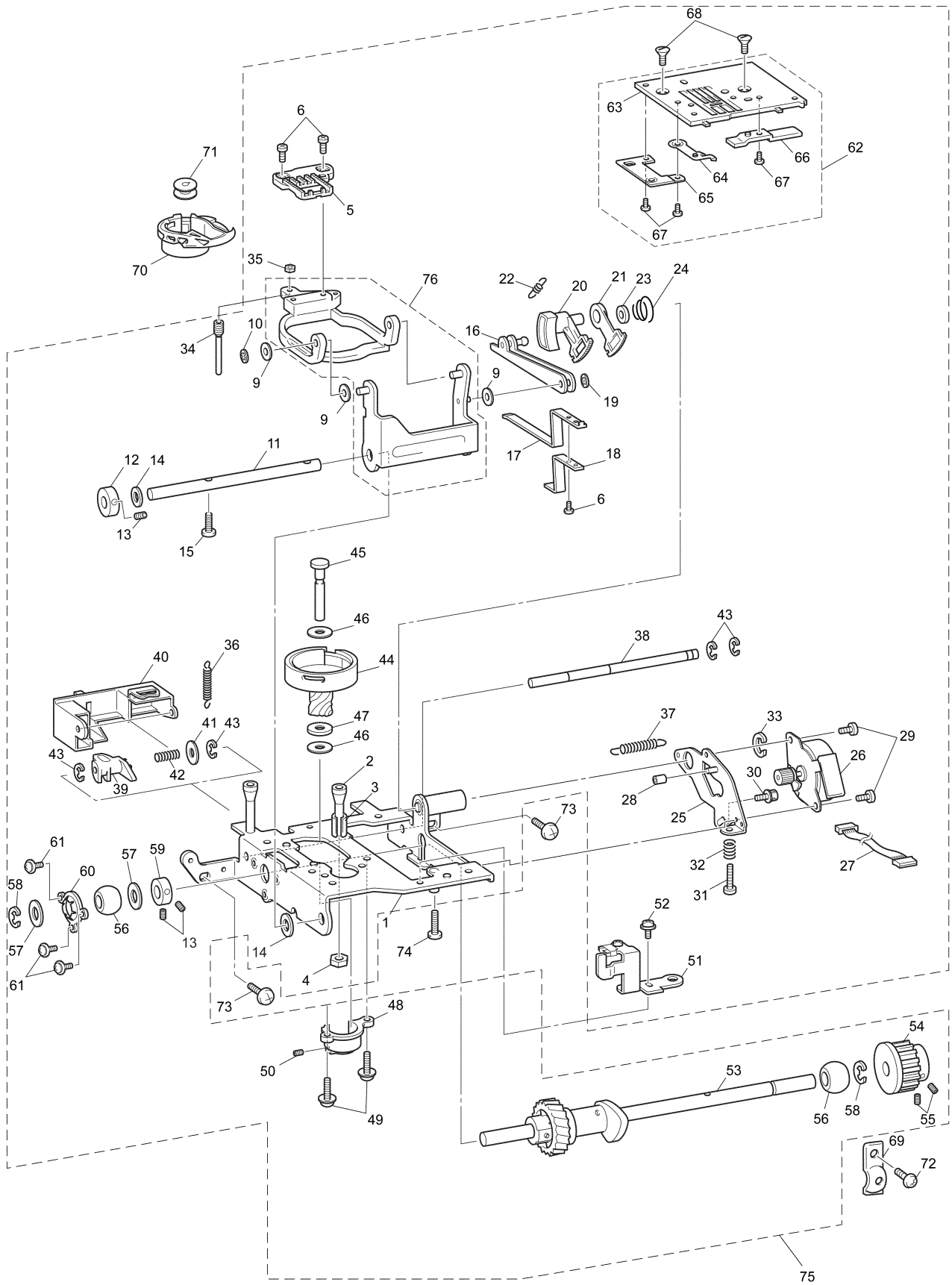
(2) UPPER SHAFT / NEEDLE BAR, PRESSER MECHANISM

No.	CODE	NAME	REMARKS	No.	CODE	NAME	REMARKS
UPPER SHAFT MECHANISM							
1	XE3706001	UPPER SHAFT SUPPLY ASSY	1000006160	42	XC8760020	Z ZIGZAG CAM	
2	XC2375051	PULLEY		43	XC8761121	Z ZIGZAG LEVER ASSY	1000003984
3	132421021	BUSHING PRESSER		44	XC8764020	Z LEVER CAP	
4	XC4869021	T BELT 420-5GT-6		45	137713020	POLYESTER SLIDER	
5	XC3581001	TENSION PULLEY ASSEMBLY	1000004695	46	XC2435020	ZIGZAG ADJUSTING NUT	
6	X57908021	TAPTITE, BIND S M4X10		47	018301032	BOLT SOCKET M3X10	
7	138172021	SCREW, PAN(S/P WASHER) M4X10		48	048030346	RETAINING RING E3	
NEEDLE BAR, PRESSER MECHANISM							
8	XC8741121	BASE HOLDER ASSY	1000003523	49	XC2748021	SPRING-Z	
9	XE2517101	NEEDLE BAR SUPPORTER ASSY (OTHER)	1000003927	50	XC2436021	NEEDLE HOLDER BLOCK	
	XE1458101	NEEDLE BAR SUPPORTER ASSY (B500)	1000003927	51	XC2437021	SHAFT ASSY	
10	XE1466001	THREAD HOLD GUIDE B ASSY (B500)	1000003927	52	XC3037021	SCREW3X10	
11	048025346	RETAINING RING E2.5 (B500)	1000003927	53	XE1470101	TAKE-UP SUPPORT SHAFT	1000003523
12	XE4784001	PIN 2X6 (B500)	1000007733	54	XZ5030001	WASHER, SPRING	
13	XC2420020	SHAFT		55	048050346	RETAINING RING E5	
14	XC8754021	NEEDLE HOLDER SHAFT A		56	XC3338021	SCREW3X8	1000003523
15	014300532	SET SCREW SOCKET (CP) M3X5		57	XC8564031	THREAD TAKE-UP LEVER	
16	XC8755020	PLATE		58	XC4897020	THREAD TAKE-UP LEVER LINK	
17	060300516	SCREW BIND M3X5		59	XC4898021	PRESSER BAR	
18	X50476021	SPRING		60	XC4899121	PRESSER BAR CLAMP	
19	XE1463001	HOOK RELEASE PLATE (B500)	1000003927	61	XC7207021	SCREW STUD M5	
20	000020416	SCREW BIND M2X4 (B500)	1000003927	62	XC4900021	SPRING	
21	XC2423021	NEEDLE BAR		63	XC3015031	PRESSER FEED HOLDER ASSY	
22	XC2424021	NEEDLE BAR THREAD GUIDE		64	132730122	TIGHTENING SCREW 3.57	
23	X53053052	SCREW SM2.38		65	XC3021031	Z FOOT	
24	XC2426020	NEEDLE THREAD PLATE		66	XC4902021	PRESSER FOOT LIFTER	
25	XC2427051	NEEDLE BLOCK	1000006955	67	048040346	RETAINING RING E4	
26	XZ0388251	NEEDLE CLAMP SCREW	1000010409	68	XE1471001	THREAD RELEASE LEVER	
27	XC2434021	NEEDLE THREAD BLOCK		69	XC4904121	SPRING	
28	XC6562131	NEEDLE BAR CRANK ROD ASSY		70	146200021	RETAINING RING, CS4	
29	XE1999001	SCREW, FLAT SM3.57-40X7 L		71	XC8767021	BH SWITCH ASSY	
30	012400432	SET SCREW SOCKET (FT) M4X4		72	0A4400806	SCREW PAN (S/P WASHER) M4X8	
31	XA1854051	THREADER HOOK ASSEMBLY (OTHER)	1000006529	73	XC8773020	RUBBER	
	XE1464301	THREADER HOOK ASSY (B500)	1000006034	74	XE1507001	PRESSER SWITCH HOLDER	
32	XD1546051	LINK A ASSY (B500)	1000003927	75	XC8775021	PF SWITCH ASSY, LE	
33	XD1548151	LINK B (B500)	1000009134	76	XE2839001	BAND	1000003208
34	XE1465001	THREAD GUIDE ASSY (B500)	1000003927	77	X57908021	TAPTITE, BIND S M4X10	
35	XC2429021	SPRING		78	X50532021	PRESSER PLATE	
36	X56851021	LOCK NUT		79	XC2504050	ADJUSTING SCREW	
37	014401232	SET SCREW SOCKET (CP) M4X12		80	XC6056120	PLATE SPRING	
38	XC8756021	SHAFT BUSHING		81	XZ0380051	SCREW, PAN(WASHER) M3X18	
39	060300616	SCREW BIND M3X6		82	060400816	SCREW BIND M4X8	
40	XC8757021	Z PULSE MOTOR: M35SP-9N		83	X53330020	WASHER	1000004412
41	XC8733021	LEAD WIRE SUB ASSY, ZPM-LE		84	XE1457001	NEEDLE BAR HOLDER ASSY (B500)	1000006823
				85	XE4808001	NEEDLE UNIT SUPPLY ASSY M1N (OTHER)	1000007800
					XE4807001	NEEDLE UNIT SUPPLY ASSY M1S (B500)	1000007800



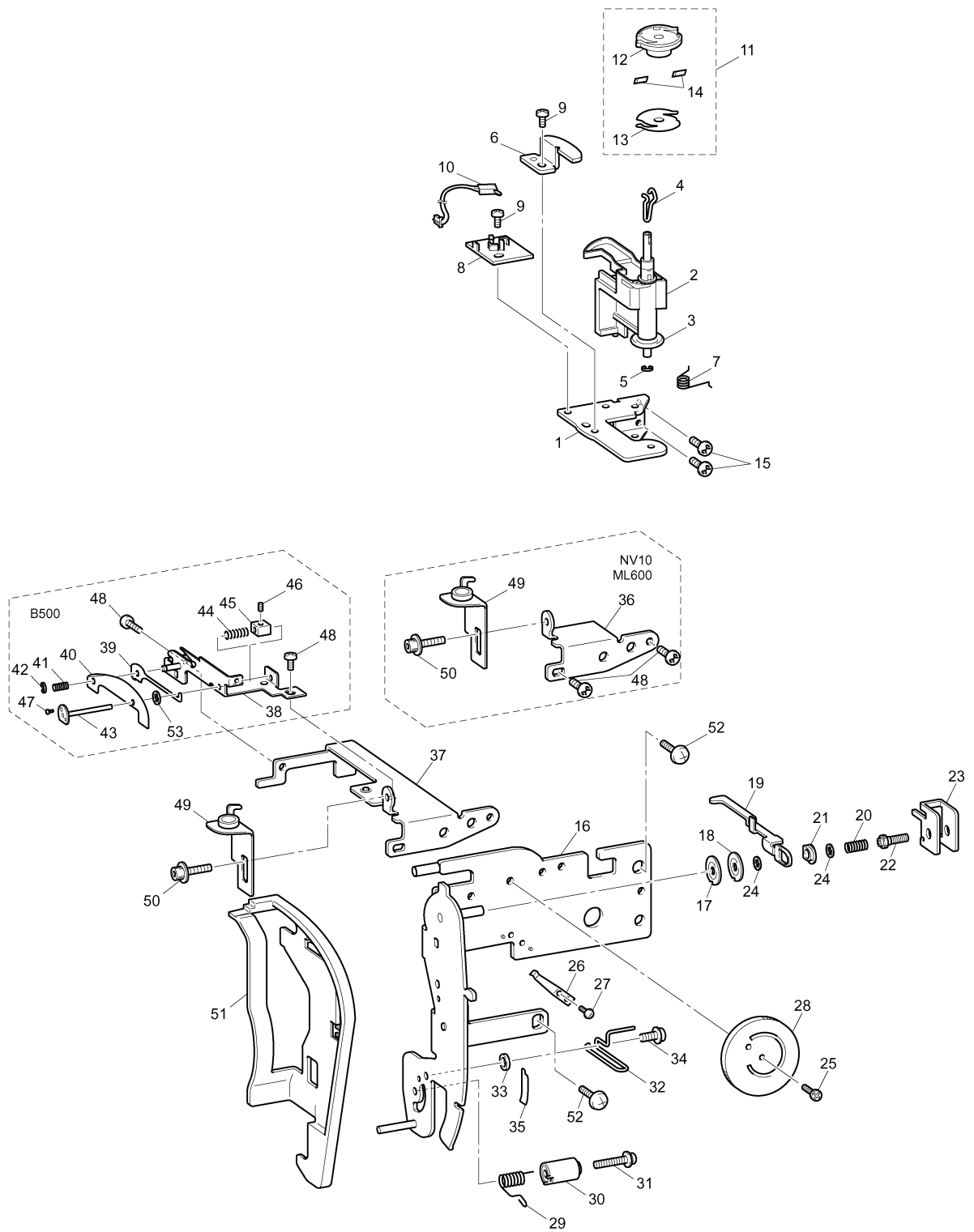
(3) FEED / FEED ADJUSTMENT MECHANISM

No.	CODE	NAME	REMARKS	No.	CODE	NAME	REMARKS
1	XE1475101	BASE PLATE ASSY	1000003468	45	XE1480001	OUTER ROTARY HOOK SHAFT	
2	XC8782021	NEEDLE PLATE SUPPORTER SHAFT B		46	137805022	SPACER	
3	XC8783020	FEED ARM SUPPORTER		47	137976021	WASHER 6	
4	021300106	NUT 1 M3		48	XE1481001	SHAFT SUPPORTER	
5	XE4919001	FEED DOG	1000007979	49	138172021	SCREW, PAN(S/P WASHER) M4X10	
6	060300616	SCREW BIND M3X6		50	014400632	SET SCREW SOCKET (CP) M4X6	
7	XE1476201	FEED BAR	1000016236	51	XE3650001	INNER ROTARY HOOK BRACKET ASSY	1000004976
8	XC8786121	FEED ARM A ASSY	1000016236	52	XC7564021	SCREW, PAN (S/P WASHER) M3X6	1000008646
9	137999020	POLYESTER SLIDER		53	XE1484001	LOWER SHAFT ASSY	
10	146200021	RETAINING RING, CS4		54	XC4943021	TIMING PULLEY D	
11	XE1477001	HORIZONTAL FEED SHAFT		55	014500532	SET SCREW SOCKET (CP) M5X5	
12	130676121	SET SCREW COLLAR		56	X52664020	LOWER SHAFT BUSHING	
13	014400432	SET SCREW SOCKET (CP) M4X4		57	X51383020	WASHER, THRUST	
14	X50546020	WASHER, THRUST		58	048060346	RETAINING RING E6	
15	060301206	SCREW BIND M3X12		59	XC8798021	SET COLLAR	
16	XC4924021	FEED ARM ASSY		60	XC4944021	BUSHING PRESSER B	
17	XC4927021	FEED SUPPORTING PLATE		61	085310615	TAPTITE BIND B M3X6	
18	XC4928120	FEED SUPPORTING PLATE B		62	XE1827001	NEEDLE PLATE A ASSY	
19	X56655021	RETAINING RING: CSTW-3.5		63	XE1828201	NEEDLE PLATE A	1000005300
20	XC2527121	FEED ADJUSTER		64	XC9728051	STOPPER PLATE	
21	XC2529020	F GEAR		65	XE1488001	NEEDLE PLATE B SUPPORT PLATE	
22	XC2530021	SPRING		66	XC2571031	F GEAR STOPPER PLATE	
23	137713020	POLYESTER SLIDER		67	060260316	SCREW BIND M2.6X3	
24	XC2531021	SPRING		68	X50487021	SCREW M4	1000010447
25	XC8791021	FPM HOLDER SUB ASSY		69	132421021	BUSHING PRESSER	
26	XC8757021	Z PULSE MOTOR: M35SP-9N		70	XC3152221	INNER ROTARY HOOK ASSY	
27	XC8793021	LEAD WIRE ASSY, FPM-LE		71	X52800120	BOBBIN	
28	XC8773020	RUBBER		72	X57908021	TAPTITE, BIND S M4X10	
29	060300416	SCREW BIND M3X4		73	XE1489001	STUD SCREW M4	
30	XC3338021	SCREW3X8		74	060301206	SCREW BIND M3X12	
31	018402533	BOLT SOCKET M4X25		75	XE4813001	FEED UNIT SUPPLY ASSY M1	1000007800
32	XC2537021	SPRING		76	XE2015201	FEED BAR ASSY	1000016236
33	XC9924021	RETAINING RING 10					
34	XC3941021	VERTICAL ADJUSTER SCREW ASSY					
35	XC2546021	M5 NUT					
36	XE1940001	SPRING					
37	XE1478001	SPRING					
38	XC8794021	VERTICAL FEED SHAFT					
39	XC2551020	VERTICAL LEVER					
40	XE1479001	DROP KNOB					
41	025040332	WASHER PLAIN L 4					
42	XC2550021	SPRING					
43	048030346	RETAINING RING E3					
44	XC4141121	OUTER ROTARY HOOK ASSY					



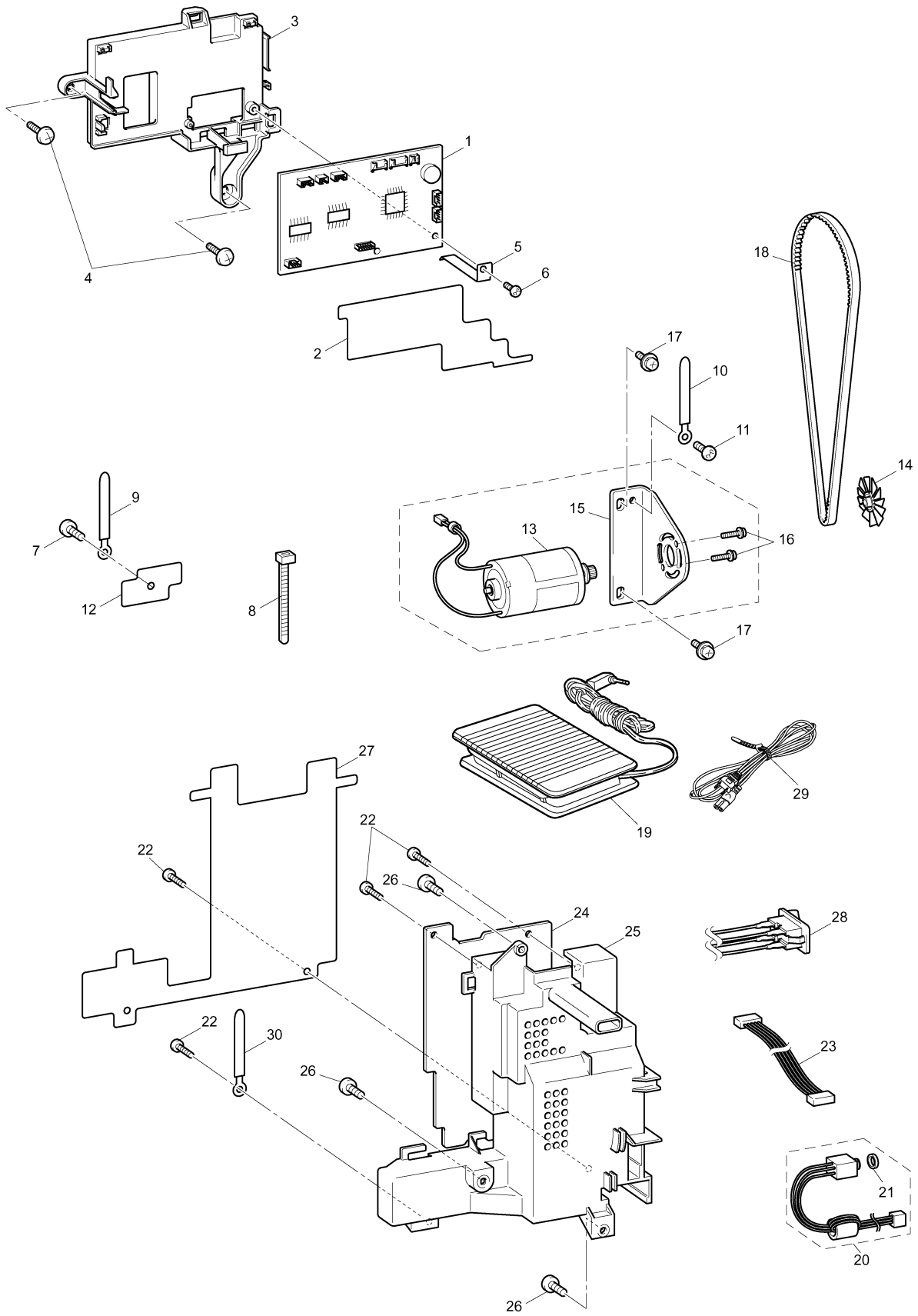
(4) BOBBIN WINDER / THREAD GUIDE MECHANISM

No.	CODE	NAME	REMARKS	No.	CODE	NAME	REMARKS
BOBBIN WINDER MECHANISM				41	X57605051	SPRING (B500)	1000003927
1	XE1494001	BOBBIN WINDER ASSEMBLY HOLDER		42	048020346	RETAINING RING E2 (B500)	1000003927
2	XE1495001	BW SHAFT HOLDER ASSEMBLY		43	XE1516001	TENSION PRESSER PLATE ASSY (B500)	1000003927
3	X55238021	RUBBER RING		44	XA9577051	SPRING (B500)	1000003927
4	XZ5039001	BOBBIN WINDER SHAFT SPRING	1000007062	45	XE1518001	ADJUSTING COLLAR (B500)	1000003927
5	048050343	RETAINING RING E5		46	012300432	SET SCREW SOCKET (FT) M3X4 (B500)	1000003927
6	XA2862021	BOBBIN WINDER SHAFT STOPPER		47	X57363051	POWER LOCK 2X3 (B500)	1000003927
7	XZ0070021	BOBBIN WINDER SPRING		48	060300416	SCREW BIND M3X4	
8	XC2614021	SW ADJUST PLATE		49	XE1519101	BOBBIN WINDER GUIDE ASSY	1000003964
9	060300616	SCREW BIND M3X6		50	XC3037021	SCREW3X10	
10	XC2612051	SW ASSY: BW-F		51	XE1521001	THREAD GUARD COVER	
11	XC4672051	BOBBIN BASE ASSY		52	XE1489001	STUD SCREW M4	
12	XC2616051	BOBBIN BASE		53	XE3403001	SPACER (B500)	1000004521
13	XA5877021	BOBBIN THREAD CUTTER HOLDER					
14	X80321021	NT LOWER THREAD CUTTER					
15	X57908021	TAPTITE, BIND S M4X10					
THREAD GUIDE MECHANISM							
16	XE1504001	THREAD TENSION HOLDER SUB ASSY					
17	XA0083121	TENSION DISC A	1000006407				
18	XA0084121	TENSION DISC B	1000006407				
19	XE1506001	THREAD RELEASE PLATE					
20	X55842021	SPRING					
21	XA1388021	TENSION DISC WASHER					
22	XC5053021	THREAD TENSION ADJUSTING SCREW					
23	XC5054021	THREAD TENSION PLATE					
24	XD0573021	WASHER					
25	XC9234021	TENSION DIAL SHAFT					
26	XE1924101	NOTCHED SPRING					
27	062300416	SCREW PAN M3X4					
28	XE5650001	THREAD TENSION DIAL (NV10, ML600, NV10A)	1000010411				
	XC5055024	THREAD TENSION DIAL (B500)	1000003927				
29	XE2029001	SPRING					
30	XC2648121	THREAD CATCHING SPRING CASE	1000003151				
31	0A4301806	SCREW, PAN (S/P WASHE) M3X18					
32	XC2651050	THREAD GUIDE WIRE					
33	XA9996051	WASHER, PLAIN					
34	XC7564021	SCREW, PAN(S/P WASHER) M3X6					
35	XE5984001	SPRING TAPE	1000014768				
36	XE1510001	THREAD GUARD HOLDER S (EXCEPT: B500, NS10)	1000003927				
37	XE1509001	THREAD GUARD HOLDER (B500)	1000003927				
38	XE1512101	THREAD GUIDE PLATE SUB ASSY (B500)	1000004521				
39	XE1514001	SPACER (B500)	1000003927				
40	XE1515101	TENSION PLATE (B500)	1000004521				



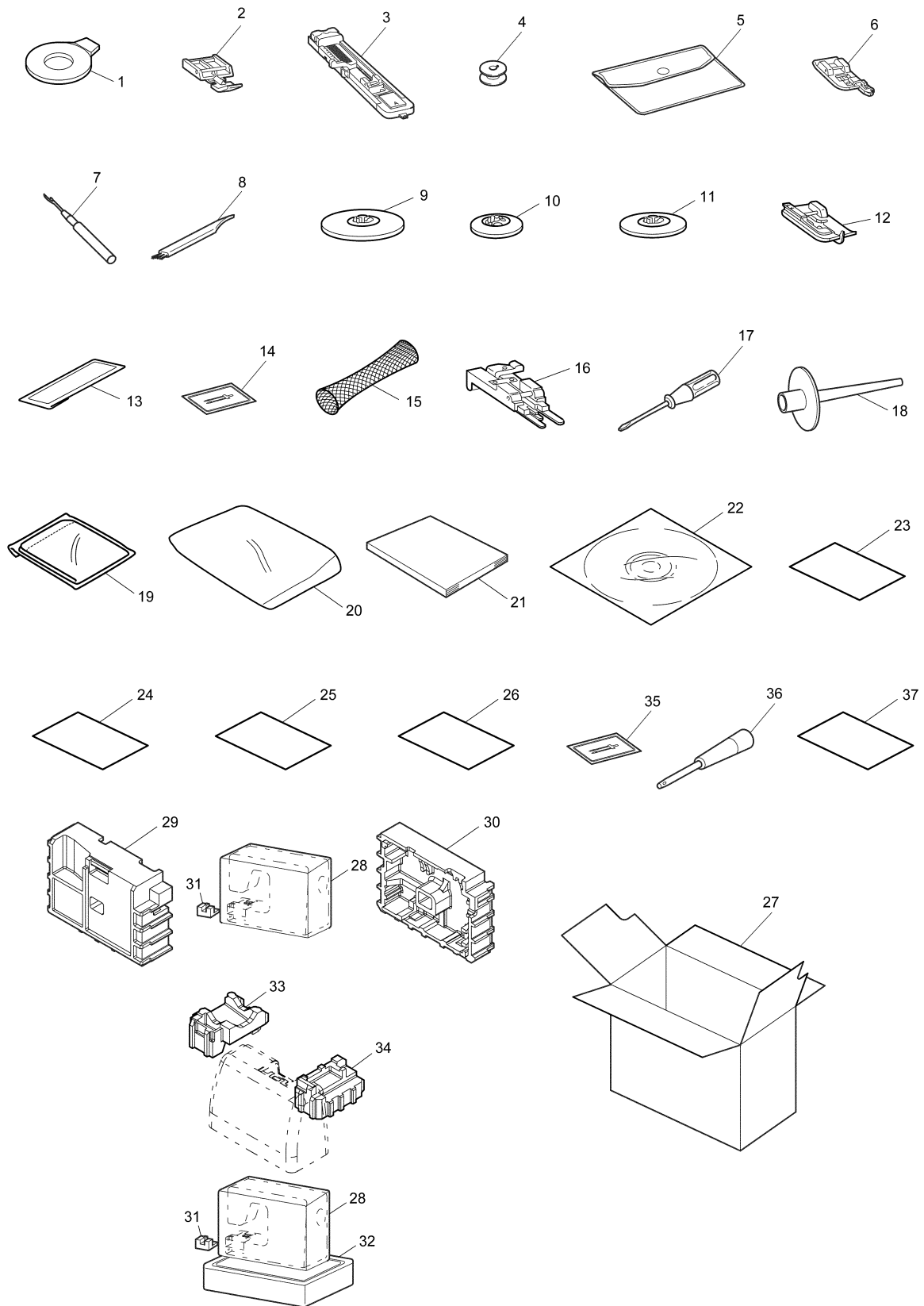
(5) ELECTRONIC PARTS / MOTOR UNIT

No.	CODE	NAME	REMARKS	No.	CODE	NAME	REMARKS
ELECTRONIC PARTS				30	X52318021	COACHING CLIP CS-2	
1	XE2881001	MAIN PCB SUPPLY ASSY: M1YL (OTHER)	1000003927				
	XE1847001	MAIN PCB SUPPLY ASSY: M1H (B500)	1000003927				
2	XE1596101	INSULATOR SHEET: M1 MAIN					
3	XE1523001	SHUTTER COVER					
4	XE1489001	STUD SCREW M4					
5	XC8810020	MAIN PCB PLATE SPRING					
6	085311016	TAPTITE BIND B M3X10					
7	060400616	SCREW BIND M4X6					
8	X53169020	BAND					
9	XA0286021	WIRE CLIP					
10	137947001	CLIP					
11	060300616	SCREW BIND M3X6					
12	XE1976001	INSULATOR SHEET: M1 PROTECT					
MOTOR UNIT							
13	XE1640101	MAIN MOTOR SUB ASSY: M1					
14	XC3803020	MOTOR FAN					
15	XE1526001	MOTOR HOLDER					
16	0A5300806	SCREW PAN (S/P WASHER) M3X8					
17	XA8474021	UPSET 4X12 DB					
18	XC2685051	T BELT494-2GT-6					
19	XD0501021	FOOT CONTROLLER: FC-322-LF-EU (NV10: OTHER, ML600, NV10A)	1000010886				
	XC8816021	FOOT CONTROLLER: FC-322-81-LF (NV10: KOR, SGP, RUS, GULF, NS10, B500, CAMPUS300, ML600, NV10A, HKG)	1000010886				
POWER SUPPLY UNIT							
20	XE1851001	FC JACK SUPPLY ASSY: M1					
21	XD1973021	NUT F					
22	085311016	TAPTITE BIND B M3X10					
23	XE1588001	POWER LEAD WIRE ASSY					
24	XE2877001	POWER PCB SUPPLY ASSY 230V: M1 (NV10, ML600, NV10A)	1000003927				
	XE1850001	POWER PCB SUPPLY ASSY 120V: M1 (B500)	1000003927				
25	XE1524201	INSULATION COVER	1000008120				
26	060400816	SCREW BIND M4X8					
27	XE1598001	INSULATOR SHEET: M1 POWER					
28	XE2330001	PW SW ASSY: M1Y230 (OTHER)	1000003927				
	XE1593201	PW SW ASSY (B500)	1000003927				
29	X59354121	POWER SUPPLY CORD -BS (IRE, U.K., HKG)					
	XA0070121	POWER SUPPLY CORD (OTHER)					
	XE2016001	POWER SUPPLY CORD KOR (KOR)					
	XD0225021	POWER SUPPLY CORD: TWN (B500)	1000003927				



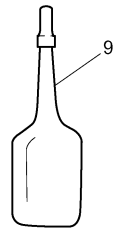
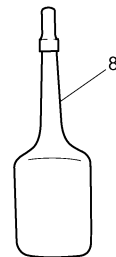
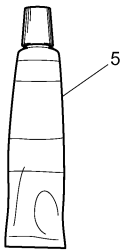
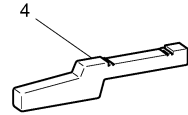
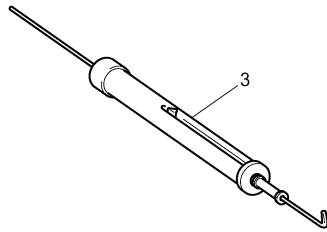
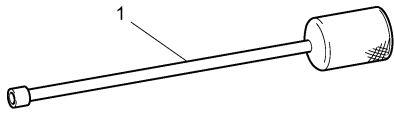
(6) ATTACHMENTS / PRINTED MATTER / PACKING MATERIALS

No.	CODE	NAME	REMARKS	No.	CODE	NAME	REMARKS
ATTACHMENTS							
1	XC1074051	DISC-SHAPED SCREWDRIVER	1000011717	24	UH3851001	WARRANTY CARD EUR (EXCEPT SPA, RUS, KOR, TWN, SGP, AUS, GULF, HKG, DEU, EEU)	
2	X59370021	ZIPPER FOOT			XC6402021	WARRANTY CARD UK (U.K.)	
3	XC2691033	BH PRESSER FOOT ASSY			XA6351221	WARRANTY CARD (ITA)	
4	X52800120	BOBBIN			LW3135004	CEE WARRANTY CARD (EEU)	DEL
5	XC4487021	ACCESSORY BAG			XE5572001	WARRANTY CARD BROTHER RUS (RUS)	1000010023
6	XC3098031	OVERCASTING STITCH FOOT ASSY			XE5609101	WARRANTY CARD 5YEARS ITA (ITA)	1000013378
7	X54243051	SEAM RIPPER			XE2895001	OPTIONAL 5YEAR WARRANTY CARD (U.K.)	1000004069
8	X59476021	CLEANING BRUSH		25	XD0256121	INSERTION WEEE (EXCEPT RUS, KOR, TWN, SIN, AUS, GULF, SGP, HKG)	1000003927
9	130012024	SPOOL PRESSER A		26	XE1158101	BOOKLET (EXCEPT SPA, RUS, KOR, TWN, SIN, AUS, GULF, SGP, HKG)	1000003927
10	130013124	SPOOL PRESSER B (EXCEPT: B500, NS10)	1000010430	PACKING MATERIALS			
11	XE1372001	SPOOL PRESSER C		27	XE2392001	CARTON LOW EU (EUROPE, NV10: SGP, HKG)	
12	XE2650001	BLIND STITCH FOOT ASSY	1000009241		XE2404001	CARTON LOW RUS (NV10: RUS)	
13	XC8834021	NEEDLE SET (EXCEPT: B500, NS10)	1000003927		XE2778001	CARTON LOW RUS ML600 (ML600)	
14	X59296121	TWIN NEEDLE (1PC) (EXCEPT: B500, NS10)	1000003927		XE3132001	CARTON LOW KOR (KOR, GULF)	
15	XA5523020	NET (EXCEPT: B500, NS10)	1000003927		XE3299001	CARTON MID B-500 (B500)	
16	XE2643001	BUTTONING FOOT ASSY (EXCEPT: B500, NS10)	1000006460		XE3475001	COLOR CARTON NV10A (NV10A)	1000004503
17	XC8349021	SCREW DRIVER			XE6141001	COLOR CARTON LOW AUS (NS10)	1000013424
18	XE2241001	EXTRA SPOOL PIN (EXCEPT: B500, NS10)	1000003927		XE4316001	COLOR CARTON NV10A (NV10A: RUS)	1000006900
19	XC1103022	DUST COVER ASSEMBLY (EXCEPT KOR, GULF, B500)	1000003927	28	X60439151	BAG, 630X630T	
PRINTED MATTER				29	XE2256001	POLYSTYRENE FOAM PAD FRONT (EXCEPT KOR, GULF, B500)	
20	130800021	BAG, 230X310H	1000011228	30	XE2257001	POLYSTYRENE FOAM PAD REAR (EXCEPT KOR, GULF, B500)	
21	XE2430001	INSTRUCTION BOOK ENG (IRE, U.K., EEU, NEU, GULF, SGP, HKG)	1000003927	31	XC4762250	THREADER SUPPORT SF	
	XE2431001	INSTRUCTION BOOK GER (GER, EEU)		32	XE1533001	BODY SUPPORT SF (B500, NV10: KOR, GULF, CAMPUS300)	1000010430
	XE2432001	INSTRUCTION BOOK FRE (FRA, SWI)		33	XE1534001	CASE SUPPORT SF-L (B500, NV10: KOR, GULF, CAMPUS300)	1000010430
	XE2433001	INSTRUCTION BOOK DUT (FRA)		34	XE1535001	CASE SUPPORT SF-R (B500, NV10: KOR, GULF, CAMPUS300)	1000010430
	XE2434001	INSTRUCTION BOOK SPA (SPA)		35	XA6349122	NEEDLE ASSEMBLY (B500)	1000003927
	XE2435001	INSTRUCTION BOOK ITA (ITA, SWI)		36	XZ5051001	PUNCH (B500)	1000009886
	XE2436001	INSTRUCTION BOOK RUS (RUS)		37	XE5611001	REGISTRATION CARD ITA (ITA)	1000010089
	XE3400101	INSTRUCTION BOOK KOR (KOR)	1000013557				
	XE3290101	INSTRUCTION BOOK (B500)	1000007374				
	XE4556001	INSTRUCTION BOOK SWE/FIN (NEU)	1000007564				
	XE4558001	INSTRUCTION BOOK DEN/NOR (NEU)	1000007564				
	XE4555001	INSTRUCTION BOOK EEU (Cesko, Hungary)	1000007823				
	XE4561001	INSTRUCTION BOOK EEU (Poland, Romania)	1000007823				
	XE5008001	INSTRUCTION BOOK BG	1000008617				
22	XE3291001	INSTRUCTION DVD (B500)	1000003927				
	XE6308001	INNOV-IS RANGE PROMOTION DVD (NV10: HKG)	1000014923				
23	XE2429001	QUICK REFERENCE GUIDE (OTHER)	1000003927				
	XE5015001	QUICK REFERENCE GUIDE BG (EEU)	1000008617				
	XE7294001	QUICK REFERENCE GUIDE (HKG)	1000014923				



SPARE PARTS

No.	CODE	NAME	REMARKS
DRIVER			
1	XE2395001	BOX SCREW DRIVER 6X190	
GAUGE			
2	XA9153001	TENSION GAUGE 30	
	XA9154001	TENSION GAUGE 50	
3	XC2277001	PUSH PULL GAUGE	
4	XC2278001	FEED GAUGE	
GREASE, OIL			
5	XC8385001	MOLYKOTE EM30L	
6	XC8387001	EPNOC AP (N) 0	
7	XC8386001	MOLYKOTE M DISPERSION	
8	XC8388001	FBK OIL RO 100	
9	XZ0206051	OILER	



brother®

NV10/NV10A/ML600/B500/NS10/CAMPUS300
08F07HF885V11

07. 2007.
11. 2009.